

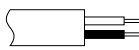
JVC VU-V856KIT EXTENDED-USE BATTERY PACK KIT INSTRUCTIONS

Thank you for purchasing this JVC Extended-Use Battery Pack Kit.

- This is a lithium-ion type Battery Pack, and is intended for use only with JVC camcorders.
- Before using, be sure to read these instructions carefully to ensure safe use of your new Battery Pack. For more details, consult your nearest JVC dealer.
- Some camcorders do not display the Battery Pack's remaining power.

IMPORTANT

Connection to the mains supply in the United Kingdom.
DO NOT cut off the mains plug from this equipment. If the plug fitted is not suitable for the power points in your home or the cable is too short to reach a power point, then obtain an appropriate safety approved extension lead or consult your dealer.
BE SURE to replace the fuse only with an identical approved type, as originally fitted, and to replace the fuse cover.
 If nonetheless the mains plug is cut off ensure to remove the fuse and dispose of the plug immediately, to avoid a possible shock hazard by inadvertent connection to the mains supply.
 If this product is not supplied fitted with a mains plug then follow the instructions given below:
DO NOT make any connection to the Larger Terminal coded E or Green. The wires in the mains lead are coloured in accordance with the following code:

 Blue to N (Neutral) or Black
 Brown to L (Live) or Red

If these colours do not correspond with the terminal identifications of your plug, connect as follows:

Blue wire to terminal coded N (Neutral) or coloured black.
 Brown wire to terminal coded L (Live) or coloured Red.

If in doubt — consult a competent electrician.

WARNING:
TO PREVENT FIRE OR SHOCK HAZARD, DO NOT EXPOSE THIS UNIT TO RAIN OR MOISTURE.
 This unit should be used with AC 110 – 240 V~, 50/60 Hz only.

CAUTION:
 To prevent electric shocks and fire hazards, do NOT use any other power source.

CAUTION:

When you are not using this unit for a long period of time, it is recommended that you disconnect the power cord from AC outlet.

CAUTION:

To prevent electric shock, do not open the cabinet. No user serviceable parts inside. Refer servicing to qualified service personnel.

NOTE:

The rating plate (Serial number plate) is on the bottom of the unit.

As a AC Power Adapter/Charger, the AA-V80EK is used exclusively with the JVC camcorder.

CAUTIONS:

- If used near a radio, this unit may interfere with reception.
- Prevent inflammables, water and metallic objects from entering the unit.
- Do not disassemble or modify the unit.
- Do not apply shocks to the unit.
- Do not subject the unit to direct sunlight.
- Avoid using the unit in extremely hot or humid places.
- Avoid using the unit in places subject to vibrations.

A WORD ON THE EXCLUSIVE BATTERY PACKS, BN-V856U

The battery packs are lithium-ion.

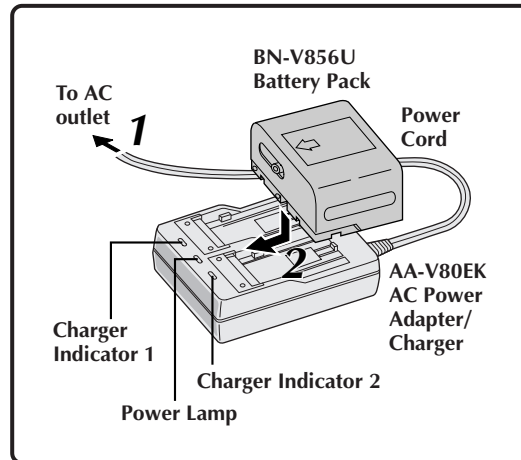
Give attention to the following to make the most of their characteristics.

For charging: 10°C to 35°C
 For operating: 0°C to 40°C
 For storing: -10°C to 30°C

WARNING: NOT FOR USE WITH TOYS.

Charging and Installing the Battery Pack

Note that it is possible to charge a Battery Pack that has not been completely exhausted.



1 Plug the AC Power Adapter/Charger's Power Cord into an AC outlet.

2 Attach the Battery Pack to the AC Power Adapter/Charger.

- Charger Indicator 1 starts to blink. Charger Indicator 2 does not blink.
- The Charger Indicator stops blinking but stays lit to indicate charging has finished.

Attach the Battery Pouch to your belt or hang it from your shoulder and start shooting.



1 Install the Battery Pack in the Battery Pouch.

2 Connect the DC Cord to the Battery Pack and the camcorder. Use only the DC Cord provided with the AC Power Adapter/Charger.

Specifications

BN-V856U Battery Pack

Power requirement, Output	7.2 V, 5600 mAh
Dimensions	86 mm (W) x 41 mm (H) x 83 mm (D)
Weight	Approx. 400 g
Operating temperature	0°C to +40°C
Storage temperature	-10°C to +30°C
Charging temperature	+10°C to +35°C
Operating humidity	35% to 85%

AA-V80EK AC Power Adapter/Charger

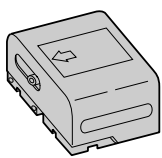
Power	AC 110 – 240 V, 50/60 Hz
Power consumption	20 W
Output power	DC 7.2 V, 1.2 A (charge)
Operating temperature	10°C – 35°C
Dimensions	94 mm (W) x 36 mm (H) x 122 mm (D)
Weight	Approx. 390 g
Charging time (based on room temperature of +10°C to +35°C)	Approx. 6.5 hours

NOTE:

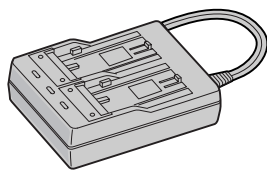
Perform charging where the temperature is between 10° and 30°C. (20°–25°C is the ideal temperature range for charging.) If the environment is too cold, charging may be incomplete.

E. O. E. Design and specifications subject to change without notice.

Provided accessories



BN-V856U Battery Pack



AA-V80EK AC Power Adapter/Charger



Battery Pouch (shoulder strap included)

Handling Precautions

- Lithium-ion Battery Packs are small but possess a large power capacity. However, when the Battery Pack becomes cool in an environment subject to cold temperature (below 10°C), the Battery Pack has a characteristic that its usage time becomes shorter and may cease to function. If this happens, place the Battery Pack in your pocket or other warm protected place for a short time, then re-insert it into the Battery Pouch. As long as the Battery Pack itself is not cold, it should not affect performance. (If you're using some kind of the heating pad, make sure the Battery Pack does not come in direct contact with the pad.)
- The Battery Packs should be charged at a temperature of 10°C to 35°C. If the Battery Pack is charged in an environment subject to high temperatures, it may deteriorate. On the other hand, if the Battery Pack is charged at a cooler temperature, it will not be charged fully.
- It is normal for the Battery Pack to become warm after charging or after use.
- If the Battery Pack is not in use for an extended period of time, natural discharge will occur. Before use, charge it fully.
- If the Battery Pack's power duration becomes drastically shortened immediately after charging, it is run down. Purchase a new one.
- Avoid using strong, volatile cleaning agents such as benzene, alcohol or thinner. This may damage the Battery Pack's body or cause a malfunction.

Precautions for proper storage

- When not in use, store the Battery Packs in a cool, dry place where the temperature will not rise.
- Be sure to remove the Battery Pack from the AC Power Adapter/Charger for storage.

Cautions

- The AA-V80EK AC Power Adapter/Charger should be used for charging only. For the camcorder's power supply, use the AC Power Adapter/Charger provided with your camcorder.
- Use only the included AC Power Adapter/Charger. Use of another battery charger may result in incomplete charging, malfunctions and risk of fire.
- Do not incinerate or disassemble; may explode or release toxic chemicals.
- Do not short circuit; may cause burns.
- When transporting, carry the Battery Pack in a plastic bag.
- For more details on handling precautions, use and proper storage of Battery Packs, please refer to your camcorder's instruction manual.
- When charging a brand new Battery Pack, or one that's been in storage for an extended period, the Charging Indicator may not come on. In this case, remove the Battery Pack, then reattach and try charging again.
- Vibration noise can sometimes be heard coming from the inside of the AC Power Adapter/Charger. This is normal.
- The AC Power Adapter/Charger processes electricity internally, and will become warm during use. This is normal. Make sure to use the AC Power Adapter/Charger in well-ventilated areas only.